



LEFROY BROOKS

IBROC HOUSE ESSEX ROAD
HODDESDON HERTS EN11 0QS UK
T: +44 (0)1992 708 316 F: +44 (0)1992 708 317

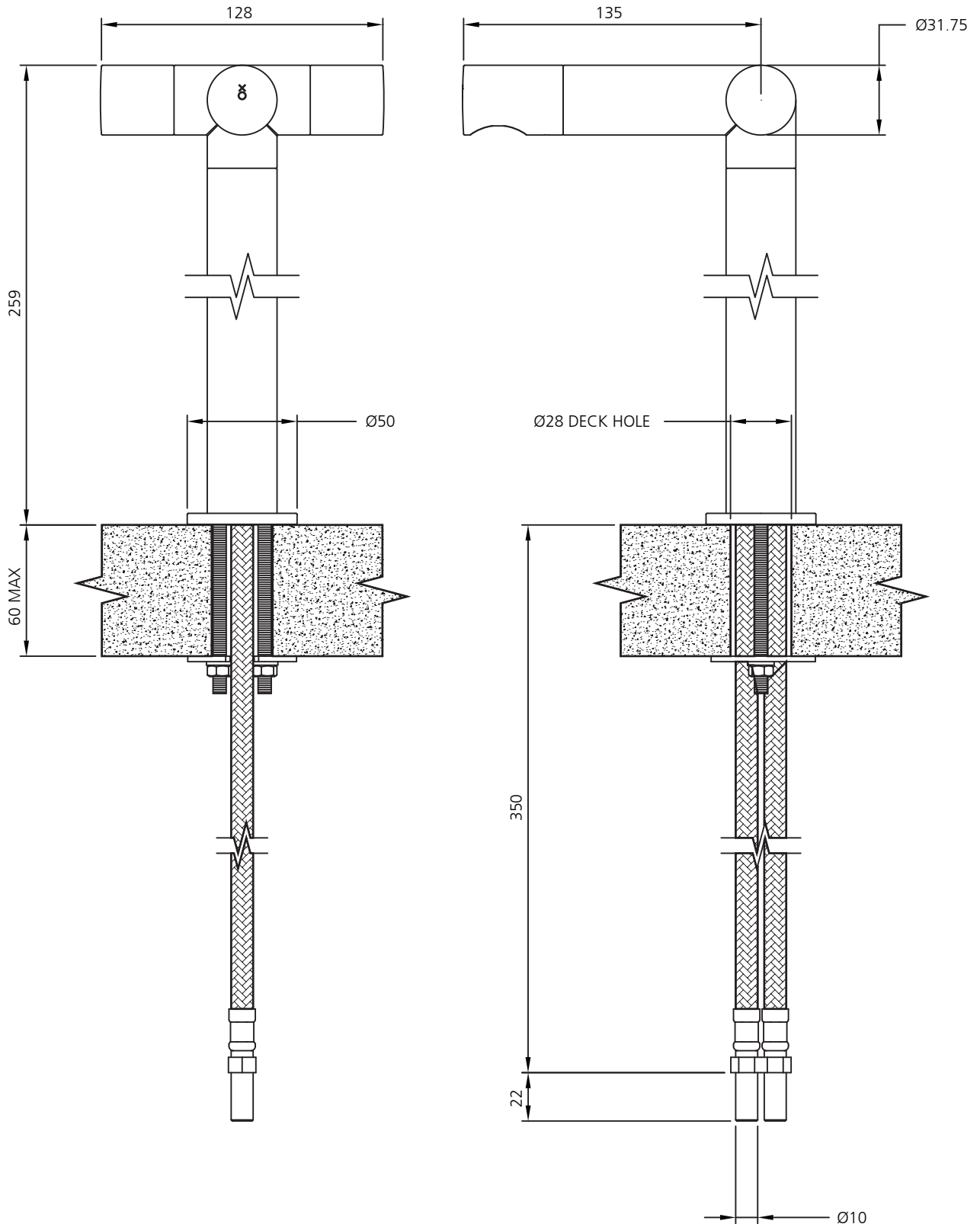
XO-3005

JO MONO - DECK MOUNTED

DIMENSIONAL DATA SHEET

DATE: 19 August 2010

NUMBER: 30 069 3005 C



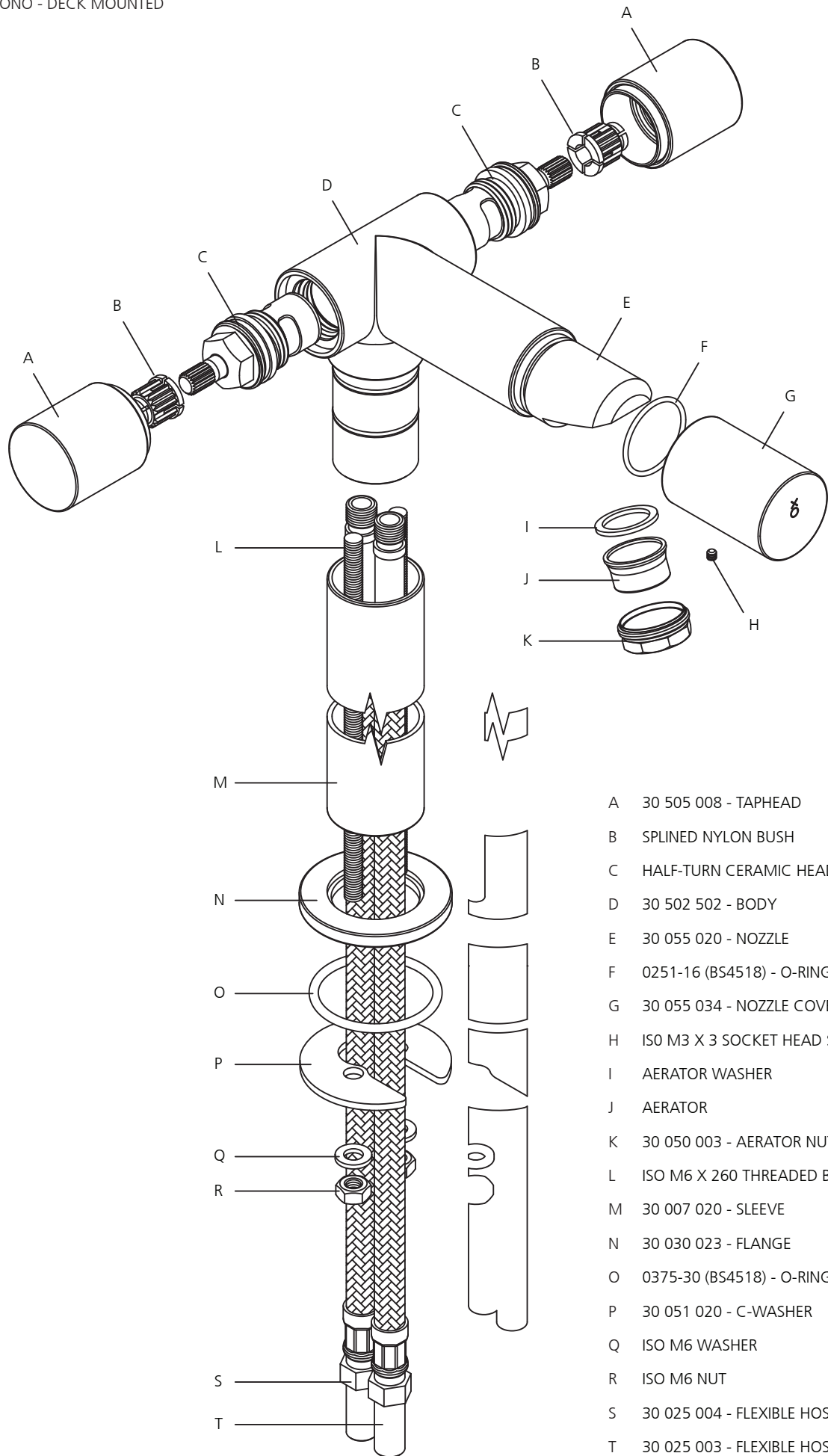
©COPYRIGHT 2001-2010. CHRISTO LEFROY BROOKS. ALL RIGHTS RESERVED.

DIMENSIONS IN MILLIMETRES

WHILST EVERY EFFORT IS MADE TO ENSURE THE ACCURACY OF THESE DATA SHEETS THEY ARE SUBJECT TO CHANGE WITHOUT NOTICE AS PART OF THE COMPANY'S PRODUCT DEVELOPMENT PROCESS

XO-3005

JO MONO - DECK MOUNTED



- A 30 505 008 - TAPHEAD
- B SPLINED NYLON BUSH
- C HALF-TURN CERAMIC HEADWORK
- D 30 502 502 - BODY
- E 30 055 020 - NOZZLE
- F 0251-16 (BS4518) - O-RINGS
- G 30 055 034 - NOZZLE COVER
- H ISO M3 X 3 SOCKET HEAD SET SCREW
- I AERATOR WASHER
- J AERATOR
- K 30 050 003 - AERATOR NUT
- L ISO M6 X 260 THREADED BAR
- M 30 007 020 - SLEEVE
- N 30 030 023 - FLANGE
- O 0375-30 (BS4518) - O-RING
- P 30 051 020 - C-WASHER
- Q ISO M6 WASHER
- R ISO M6 NUT
- S 30 025 004 - FLEXIBLE HOSE
- T 30 025 003 - FLEXIBLE HOSE